

# Hydraulic Capabilities List


## Bell 204/UH-1H

204-076-052-009 Servo	205-076-038-007 Servo	205-076-099-007 Servo
205-076-056-107 Servo	204-076-511-009 Servo	


## Bell 205

205-076-030-001 Servo	205-076-029-011 Servo	205-076-031-003 Servo
205-076-036-105 Servo	205-076-036-107 Servo	


## Bell 206


41103650-009 Servo	41103750-017 Servo	
206-076-031-013 Servo	206-076-031-015 Servo	
206-076-031-017 Servo	206-076-031-021 Servo	
206-076-031-023 Servo (Ronson)	206-076-031-107 Servo	
206-076-031-109 Servo (Ronson)		

## Bell 206L & 407


206-076-062-001 Servo	206-076-062-003 Servo (Ronson)	
206-076-062-005 Servo	206-076-062-101 Servo (Ronson)	
206-076-062-103 Servo	206-076-062-105 Servo	
206-076-062-107 Servo		


**Bell 212/412**


<p>41001140-001 SCAS Actuator</p>		
---------------------------------------	--	--

<p>212-076-004-003 Servo</p>	<p>212-076-004-005 Servo</p>	
<p>212-076-004-101 Servo</p>	<p>212-076-005-007 Servo</p>	
<p>212-076-005-011 Servo</p>	<p>212-076-005-101 Servo</p>	
<p>212-076-005-103 Servo</p>	<p>212-076-005-111 Servo</p>	


**Bell 214B**

<p>214-076-012-001 SCAS Actuator</p>		
--	--	--


<p>214-076-146-101 Main Rotor Servo</p>	<p>214-076-146-001 Main Rotor Servo</p>	
---	---	--

<p>214-076-147-001 Tail Rotor Servo</p>		
---	--	--

**Bell 214ST**

<p>214-076-161-101 Main Rotor Servo</p>	<p>214-076-161-107 Main Rotor Servo</p>	
<p>214-076-294-101 Tail Rotor Servo</p>		

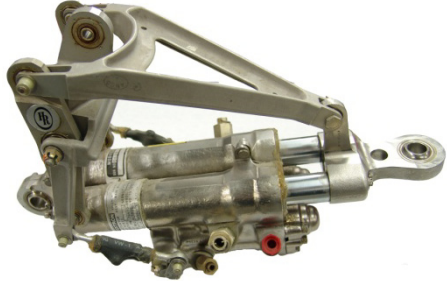
**Sikorsky S61**

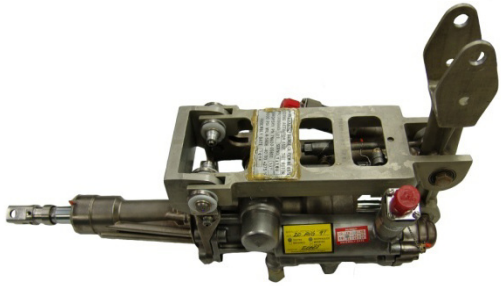
<p>61650-20300-041 Primary Servo</p>	<p>61650-20300-042 Primary Servo</p>	
<p>61650-20300-043 Primary Servo</p>		

<p>S6110-26400-041 M/R Damper</p>		
---------------------------------------	--	--

<p>HP610100-2C10-1 HP Manifold</p>	<p>S6165-63101-007/008 Retract Cylinder</p>	<p>S6165-63575- Brake Cylinder</p>
<p>S6165-63151-041 Uplock Cylinder</p>	<p>S6165-50581-1/2 Tail Shock Strut</p>	<p>S6125-50204-1 MLG Shock Strut (N Model)</p>
<p>S6125-50301-1/2 MLG Shock Strut (L Model)</p>		

### Sikorsky S76

<p>76650-09805-110 M/R Servo</p>	<p>76650-09805-111 M/R Servo</p>	
--------------------------------------	--------------------------------------	--

<p>76650-05801-112 T/R Servo</p>	<p>76650-05801-113 T/R Servo</p>	
--------------------------------------	--------------------------------------	---

<p>76106-08000-049 M/R Damper</p>	<p>76106-08000-050 M/R Damper</p>	
---------------------------------------	---------------------------------------	--

<p>1945/2071 Series Main Landing Gear Shock Strut</p>	<p>1945/2071 Series Main Landing Gear Actuator</p>	<p>1944/2070 Series Nose Landing Gear Shock Strut</p>
<p>1944/2070 Series Nose Landing Gear Actuator</p>		